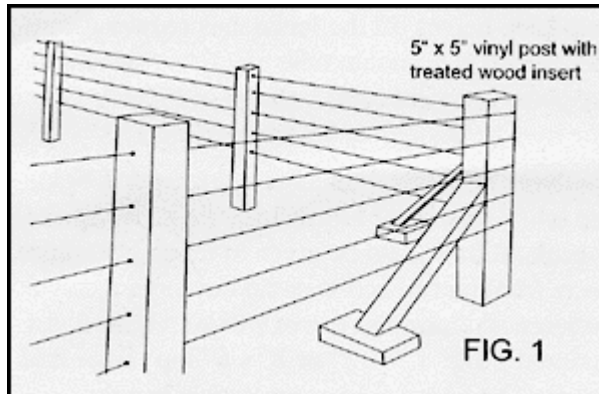




P.O. Box 1139, Mars, PA 16046.  
1-877-625-6100  
Finishlinefence.com

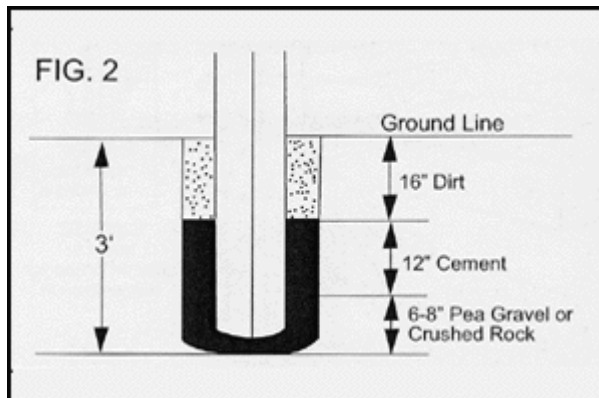
## Post Installation: Vinyl Fencing



### 1. Post Installation

Start your Finish-Line horse fence installation by setting end and corner posts. End and corner posts should be 5" square vinyl fencing posts with 4"x4" wood post inserts. The wood post inserts are available locally, or an aluminum insert may be special ordered. If using a wood insert, locate in corner where the wire wraps around the post. **(Fig.3)** All end and corner posts should be a minimum of 8' lengths. We recommend you use heavy wall posts.

Line post should be at least 5" square to allow for any future changes. All line posts should be a minimum of 7' lengths.



#### Setting End and Corner Posts

Set each end and corner post in a hole 3 feet deep. Fill around the post with soil, crushed rock, or pea gravel (6 to 8 inches). Make sure the material is compacted. Next, add redi-mix cement (12 inches) or more crushed rock or pea gravel packed every 4 to 6 inches. All end and corner post must be cross-braced. **(Fig.2)**

#### Setting line posts

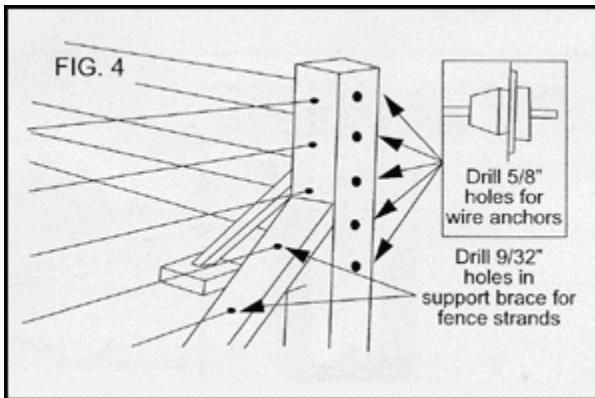
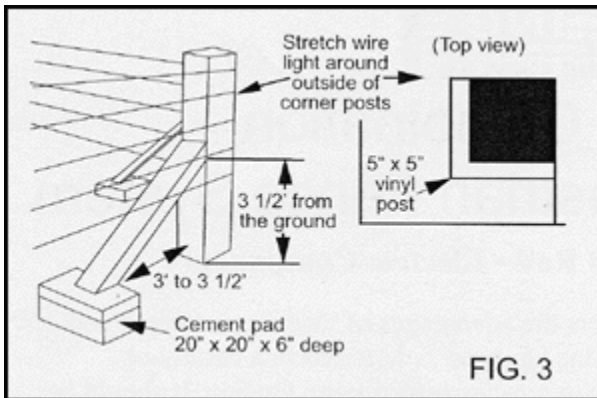
Set each line post a minimum of 2 feet deep, depending on soil and climatic conditions. Augering is the easiest way to make holes for posts.

#### Post Spacing

If you simply have a Perimeter Fence System, posts should be spaced at 8' intervals. You will not need as many Finish-Line strands with an electrified fence.



P.O. Box 1139, Mars, PA 16046.  
1-877-625-6100  
Finishlinefence.com



## 2. Post Bracing

Place a mark on the end post 3 1/2 feet from the ground level. This will indicate where the bottom of the diagonal support brace will be fastened. It will be fastened to the post using a treated lumber 2"x4" (available locally). Ask your equine fencing dealer to oversleeve the 2" x 4" with vinyl. **(Fig.3)**

The support brace should enter the ground about 3 1/2 feet from the end post and must be secured in a cement pad (20" x 20" x 6").

Usually, holes do not need to be drilled in the corner posts. Posts should be installed so the wire is stretched tight around the outside of the post. **(Fig.3)**

To install the fence through the post, however, drill 9/32" holes through the diagonal support brace so lower fencing strands can pass through to an end post. **(Fig.4)**

**If you have any questions, please contact Ag-liner at 1-877-625-6100.**